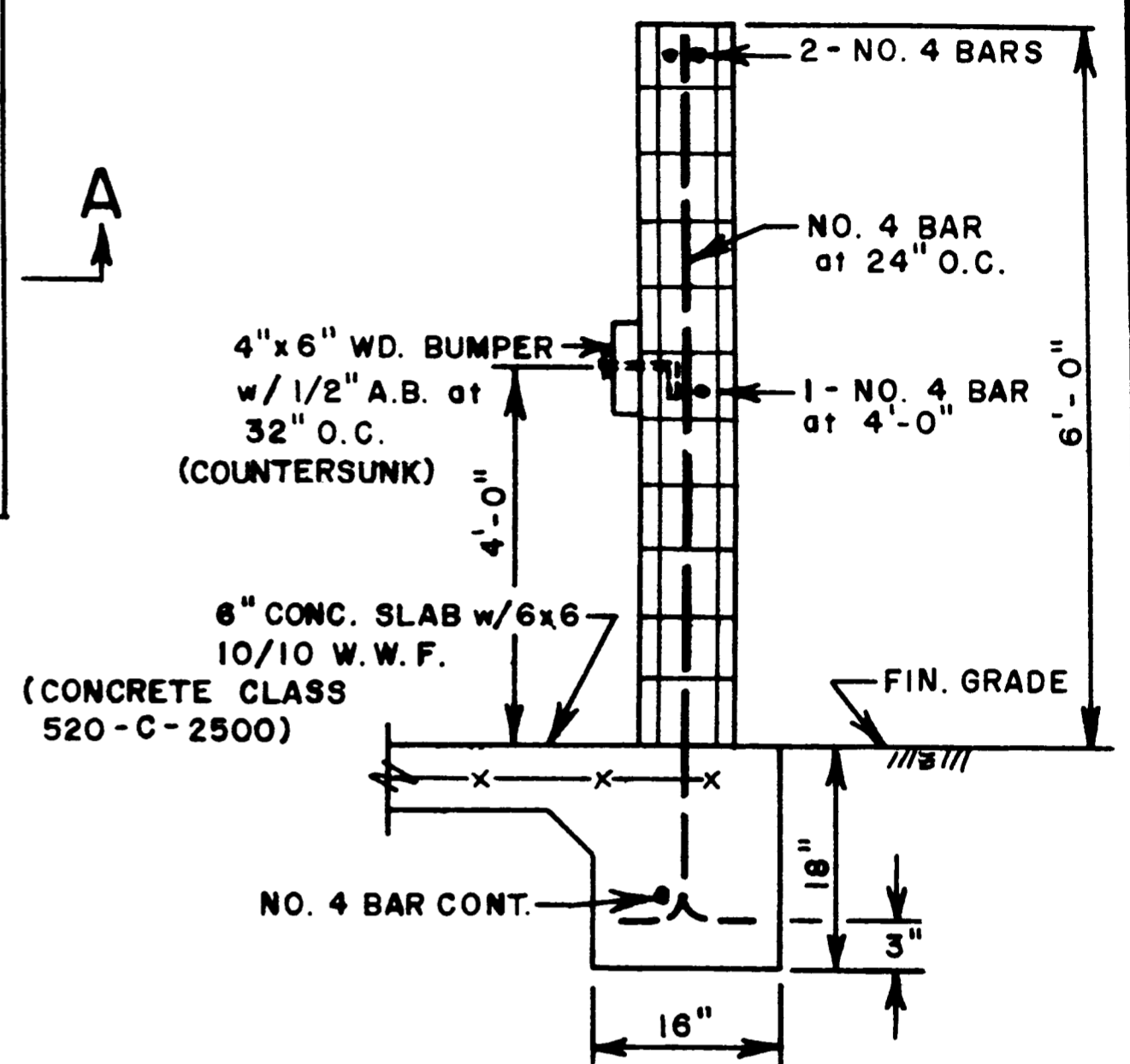
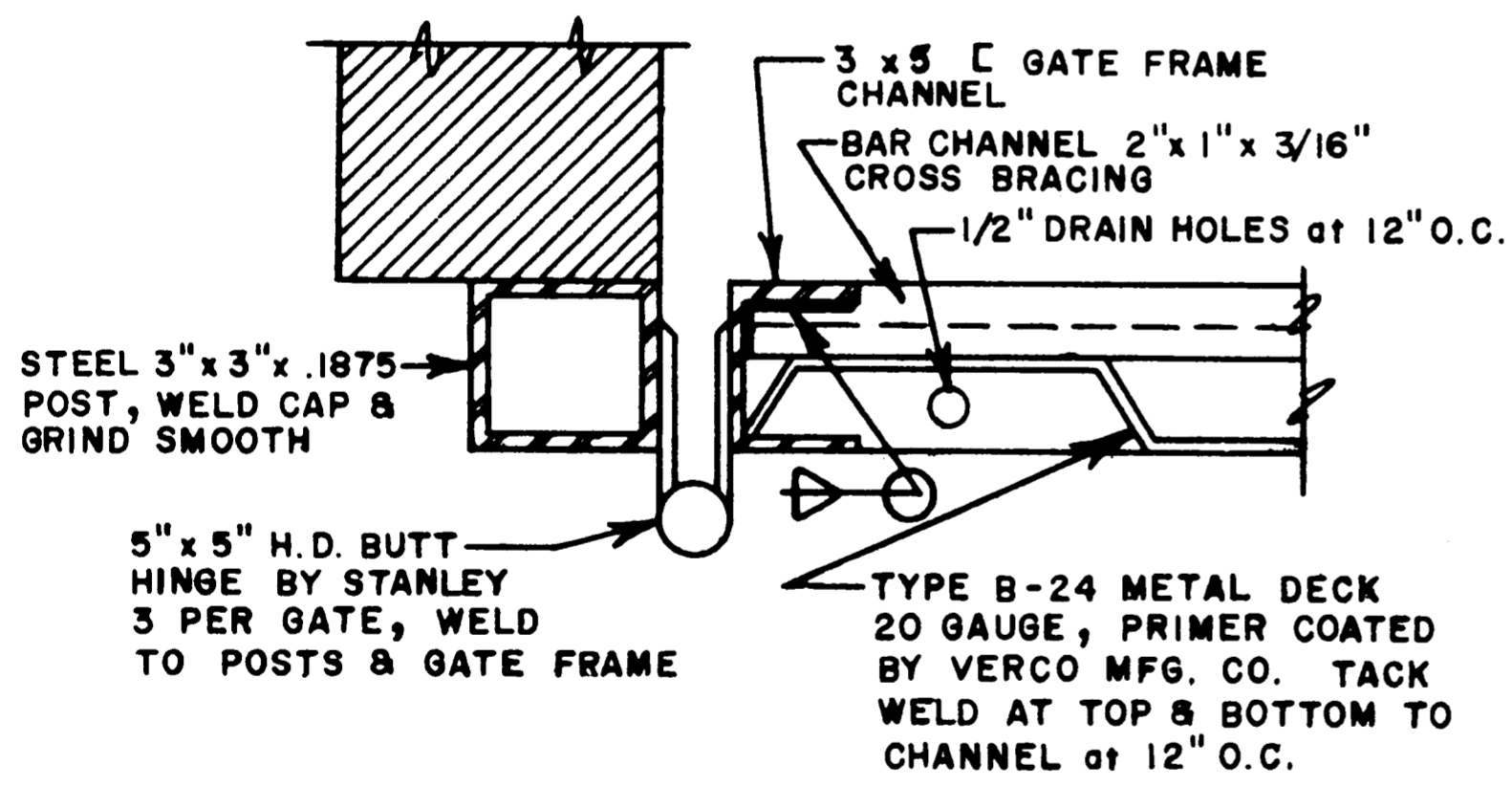


PLAN VIEW

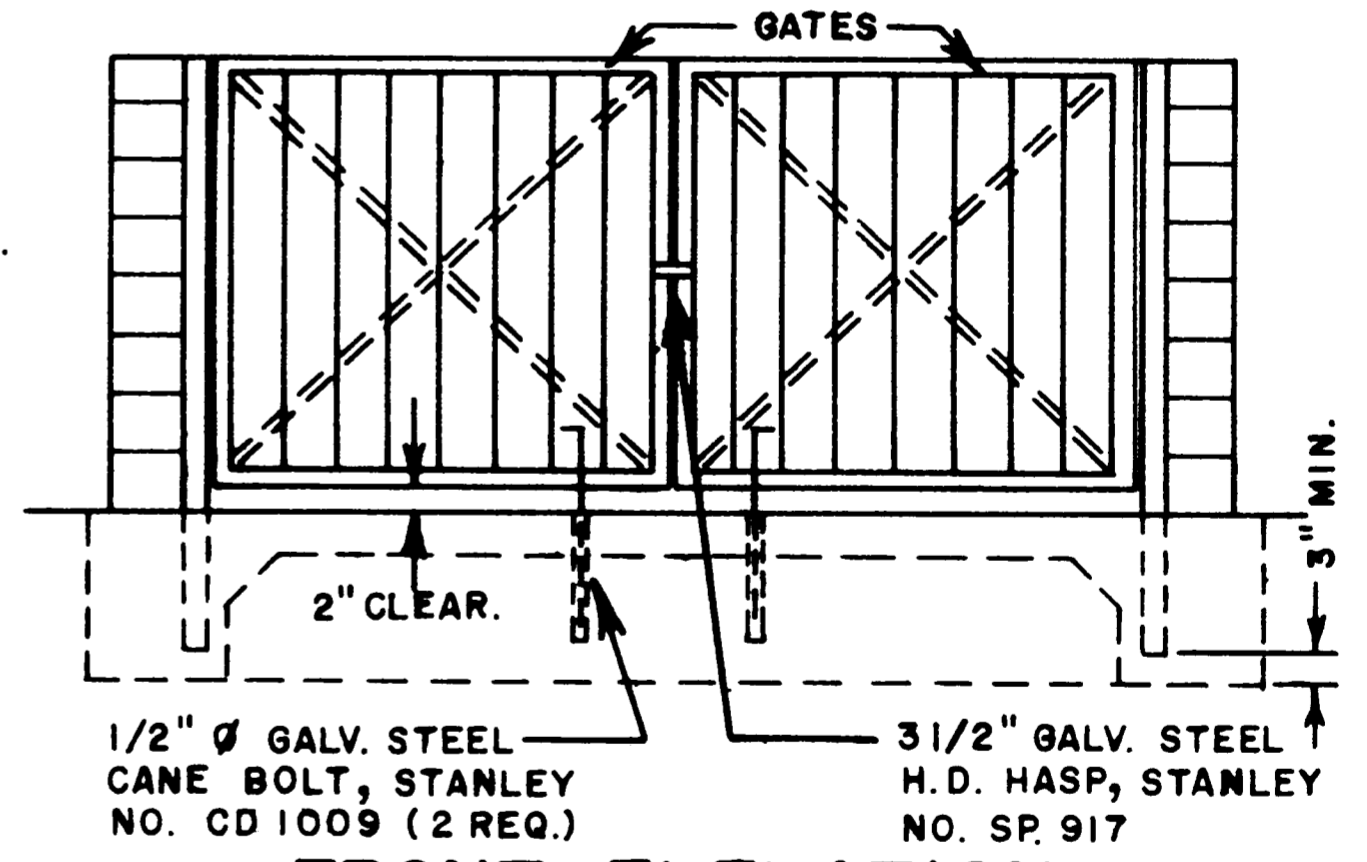
MIN. DIMENSIONS		
BIN SIZE	W	L
3 CY.	6'-8"	8'-8"
4 CY.	8'-0"	8'-8"
2-3 CY.	6'-8"	15'-0"
2-4 CY.	8'-0"	15'-0"



SECTION A-A



DETAIL 'A'



FRONT ELEVATION

NOTES

1. ALL WORK SHALL BE DONE IN ACCORDANCE WITH THE STANDARD SPECIFICATIONS FOR PUBLIC WORKS CONSTRUCTION, LATEST EDITION.
2. LOCATION SUBJECT TO THE APPROVED DEVELOPMENT PLANS.
3. WITHIN 5' OF COMBUSTIBLE CONSTRUCTION, INSTALL A AUTOMATIC FIRE SPRINKLER AS APPROVED BY FIRE DEPT.
4. CONCRETE BLOCK WALLS TO BE COMPATIBLE WITH BUILDING EXTERIOR.
5. SPECIFIED MANUFACTURER'S SHOWN OR APPROVED EQUAL.

CITY OF SAN BERNARDINO PUBLIC WORKS DEPT.

APPROVED 2-5-86

STANDARD PLAN
508

REFUSE ENCLOSURE

James E. Pappas
DIRECTOR OF PUBLIC WORKS / CITY ENGINEER